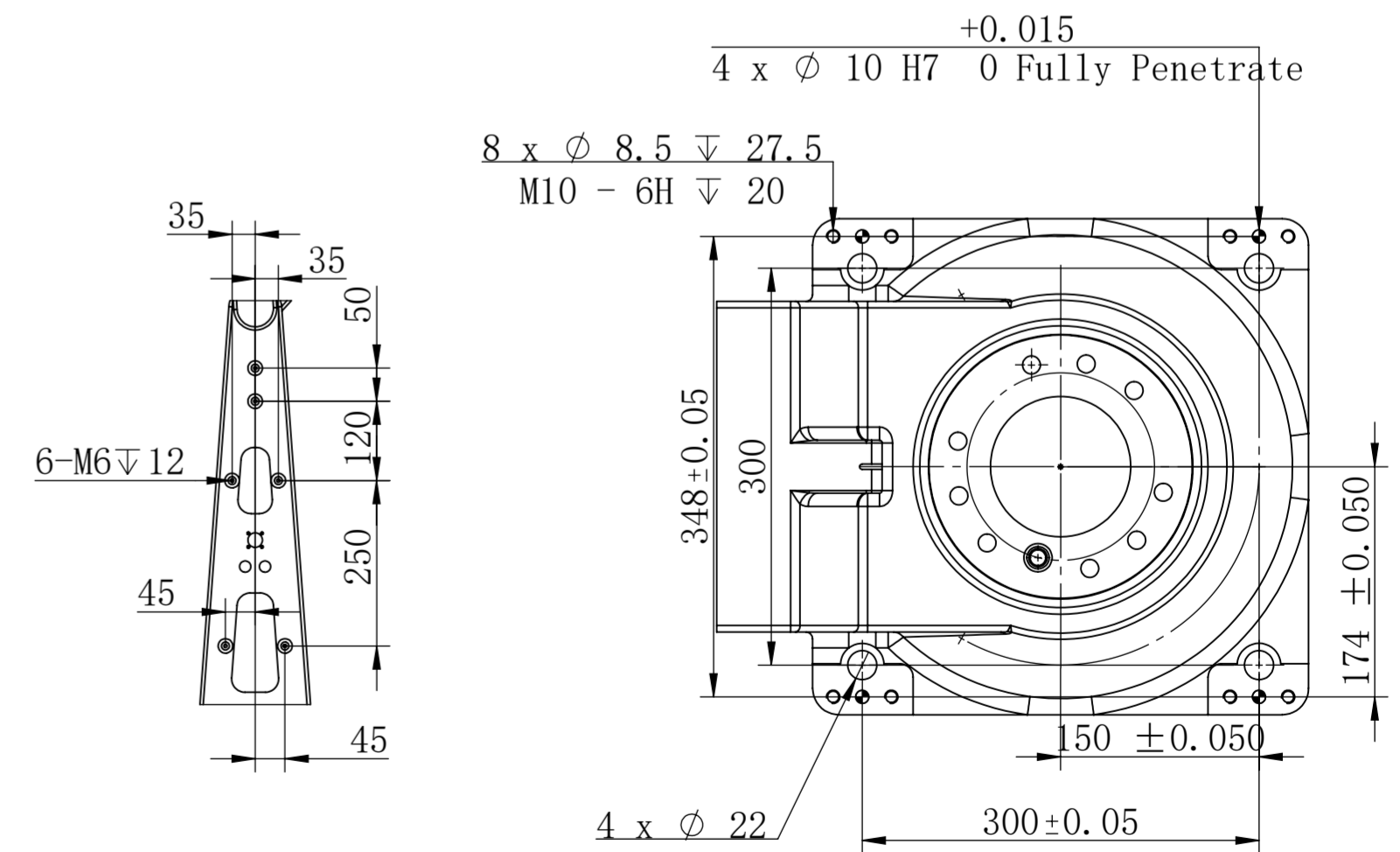
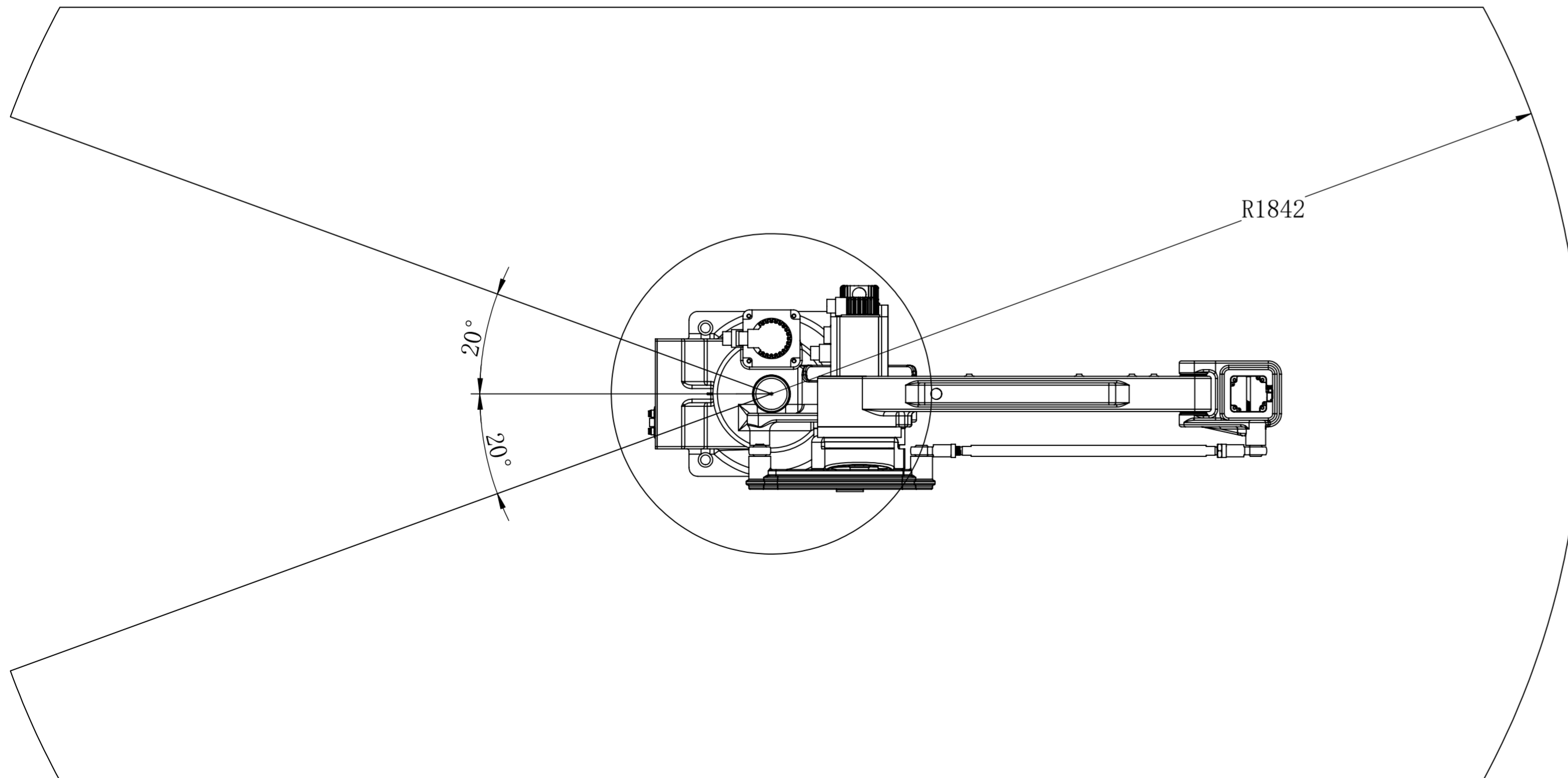


Flange Installation Diagram



Customer Workpiece Mounting Hole

Base Installation Diagram