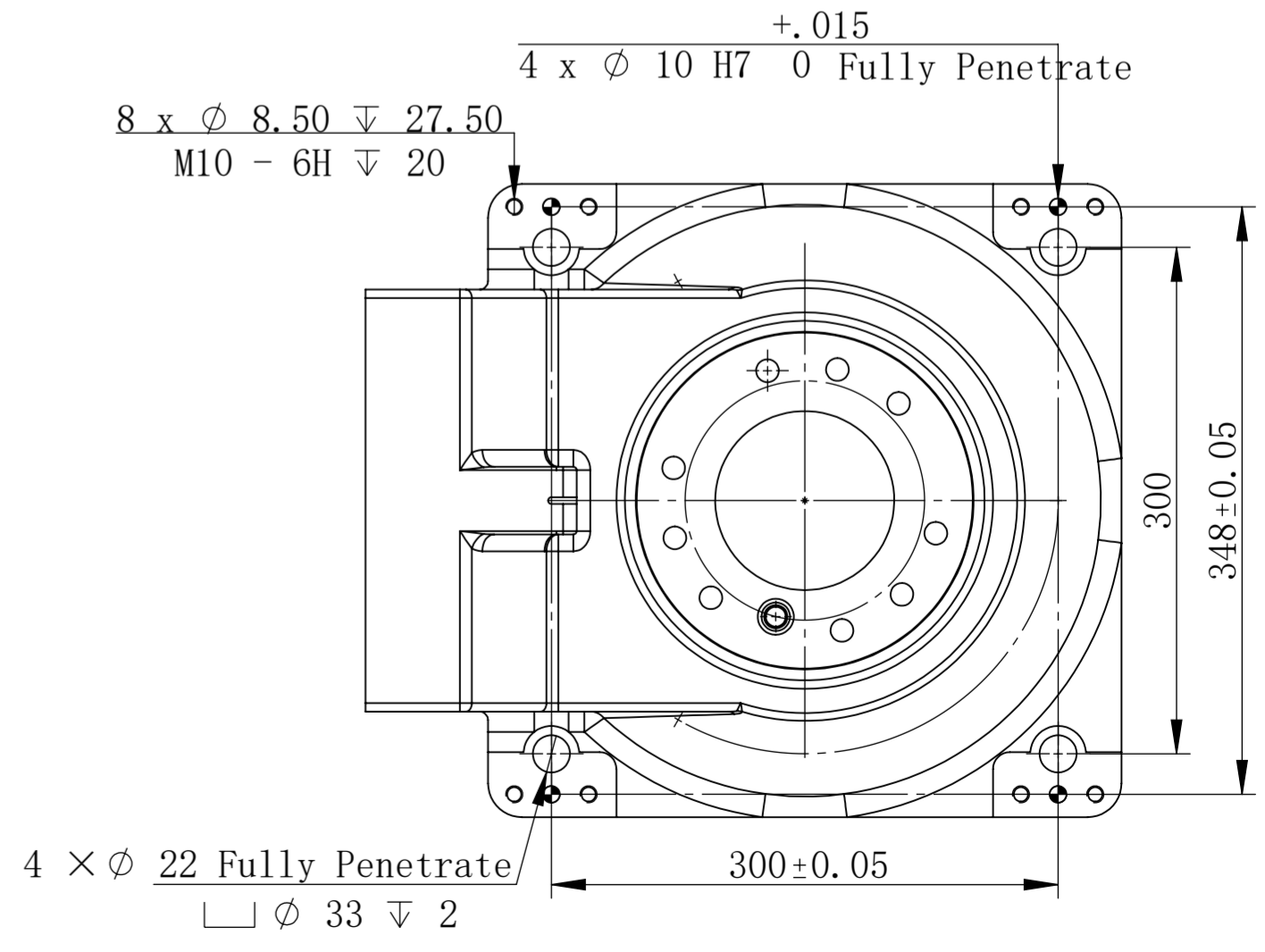
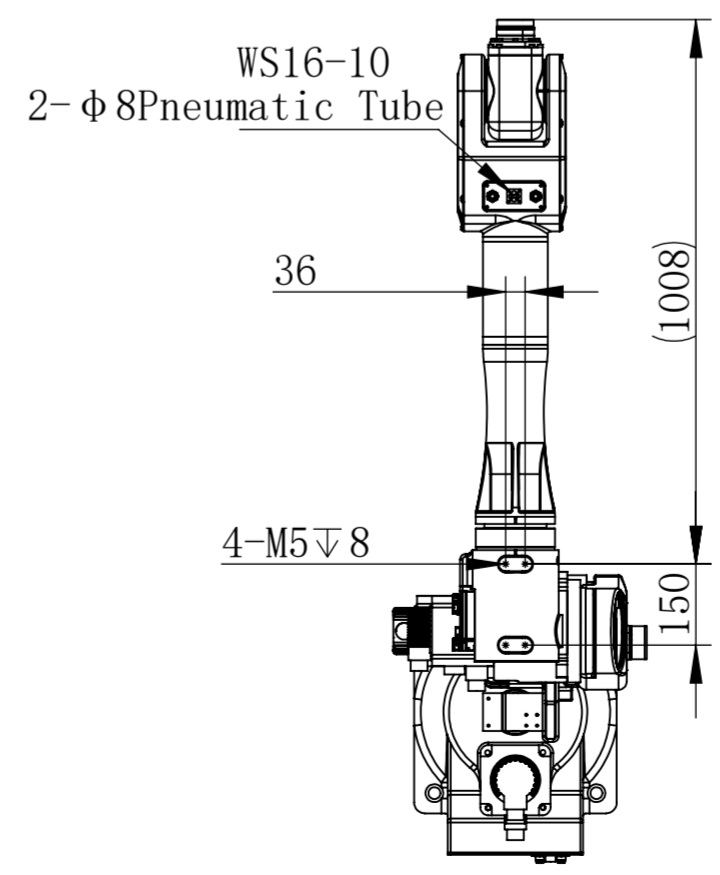


Flange Installation Diagram



Base Installation Diagram