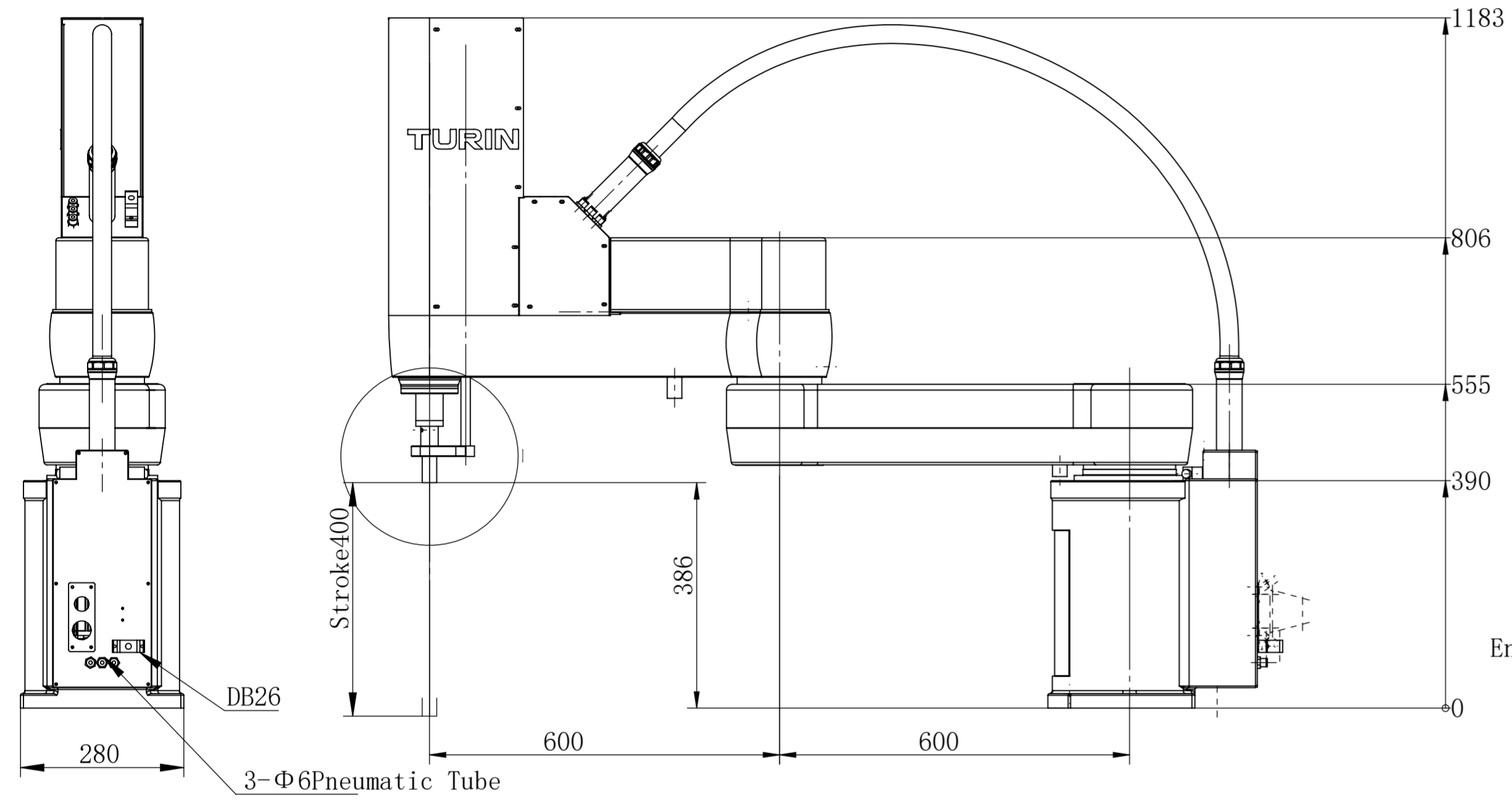
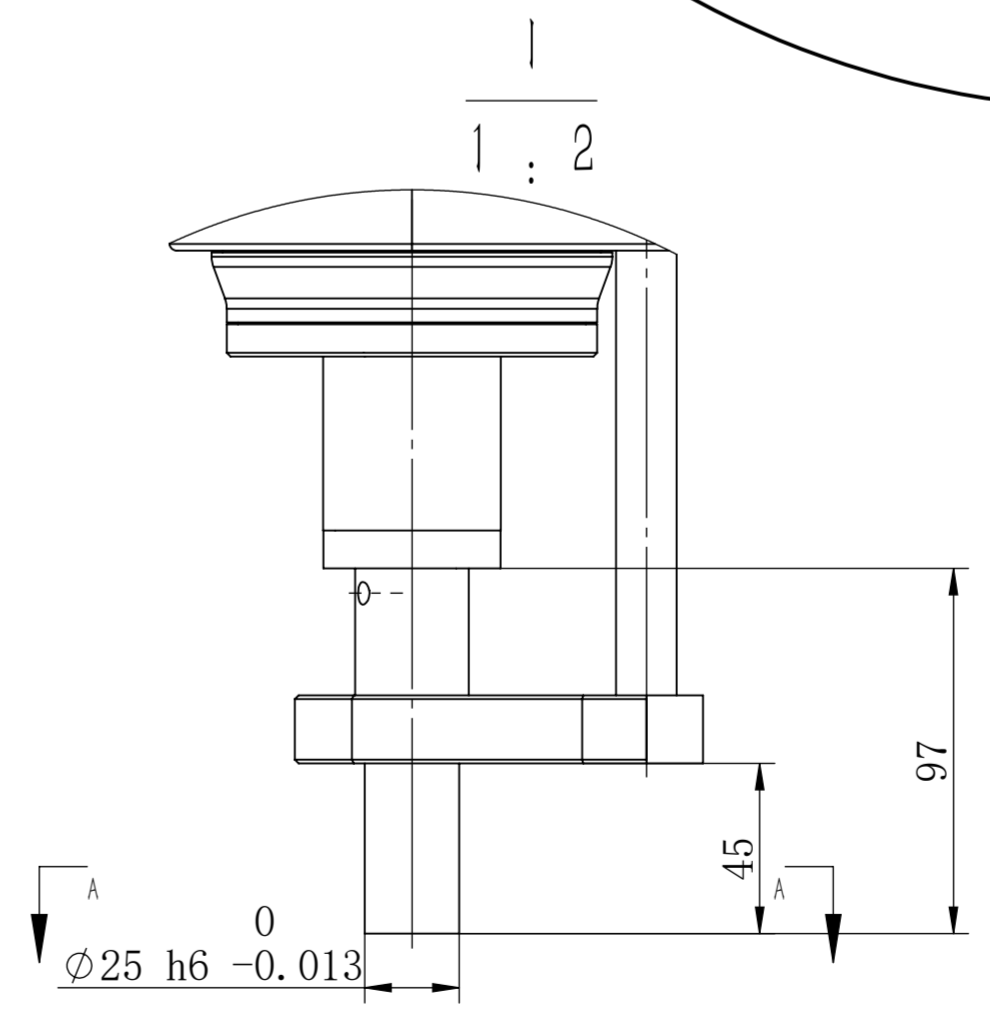
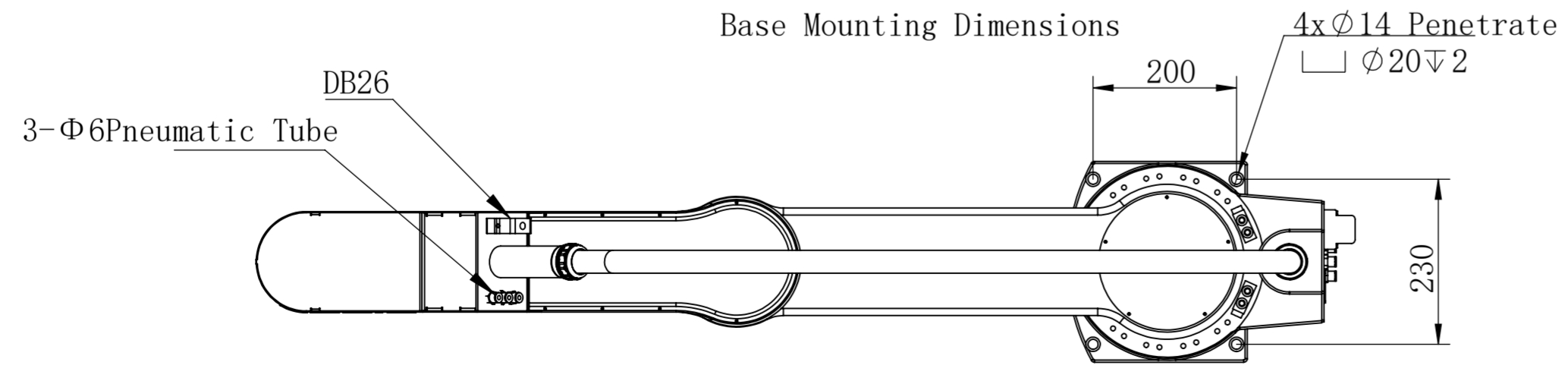


End Mounting Dimensions



Base Mounting Dimensions



Recommended Installation Method

