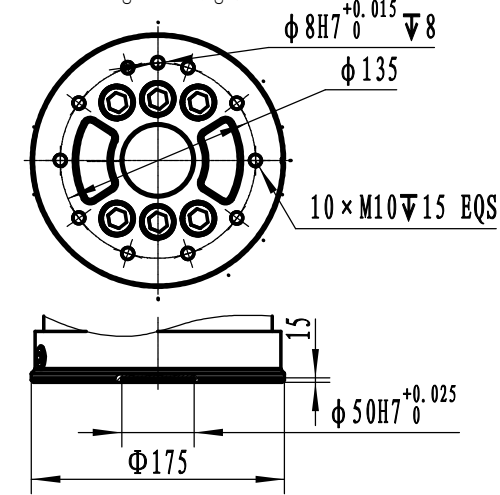


D view (1:5)

End Flange Mounting Interface



Base Installation Diagram

