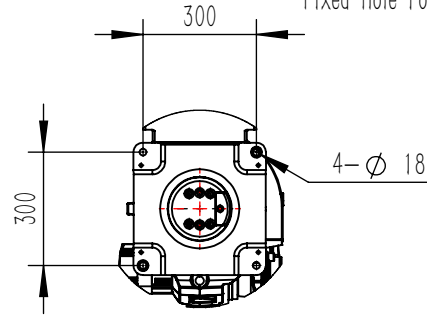
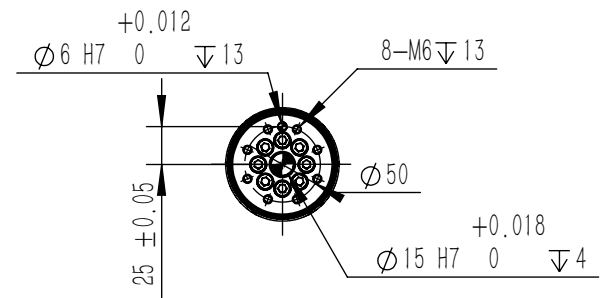


Fixed Hole Position Diagram



Base Installation Diagram



Flange Installation Diagram