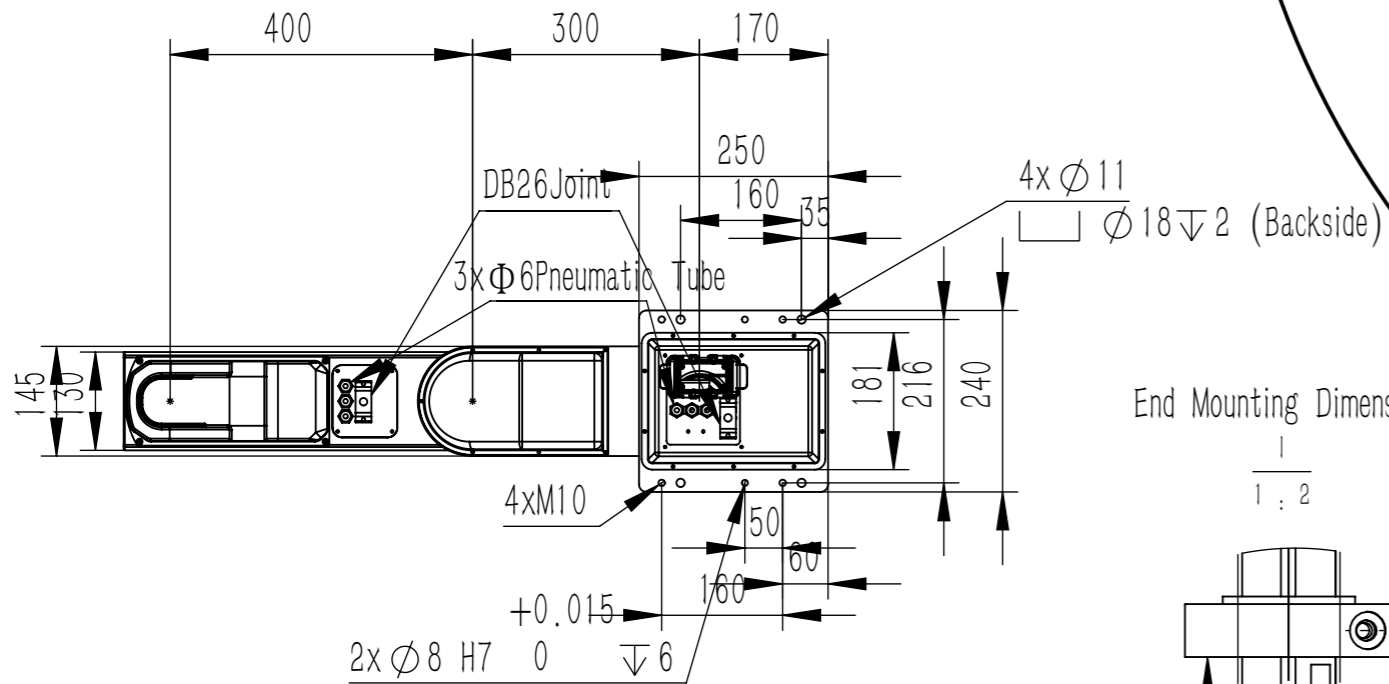
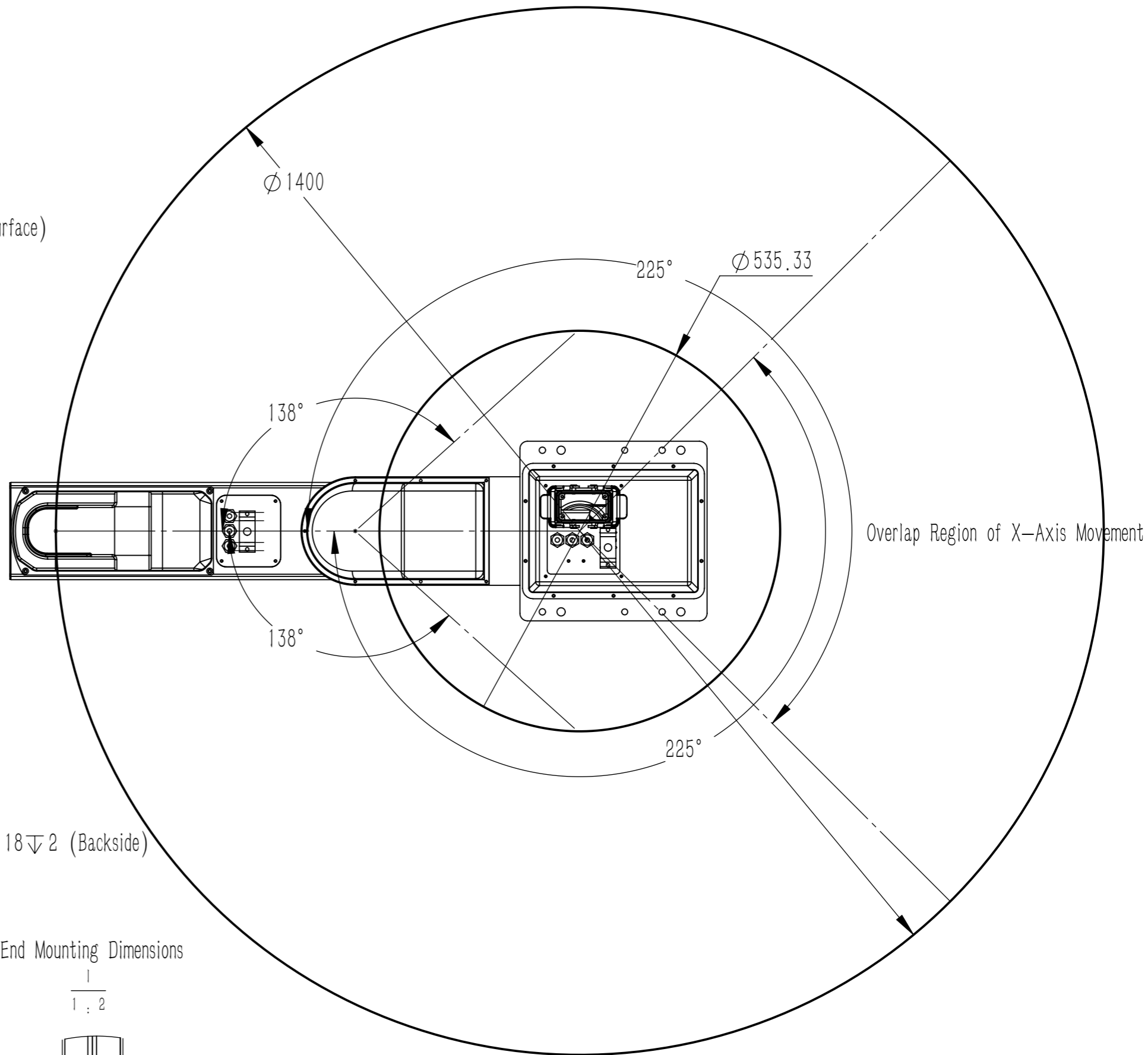
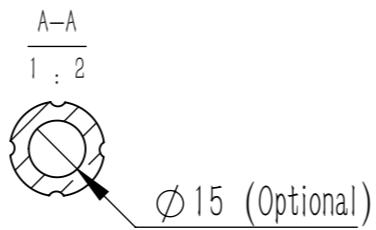
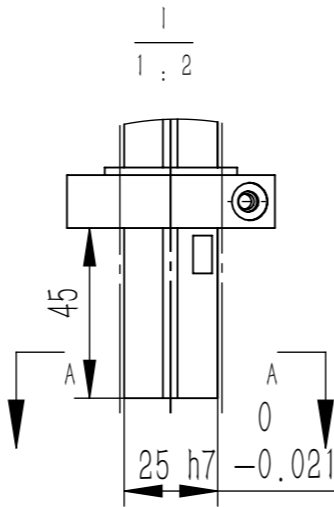


Base Mounting Dimensions



End Mounting Dimensions



Recommended Installation Method

