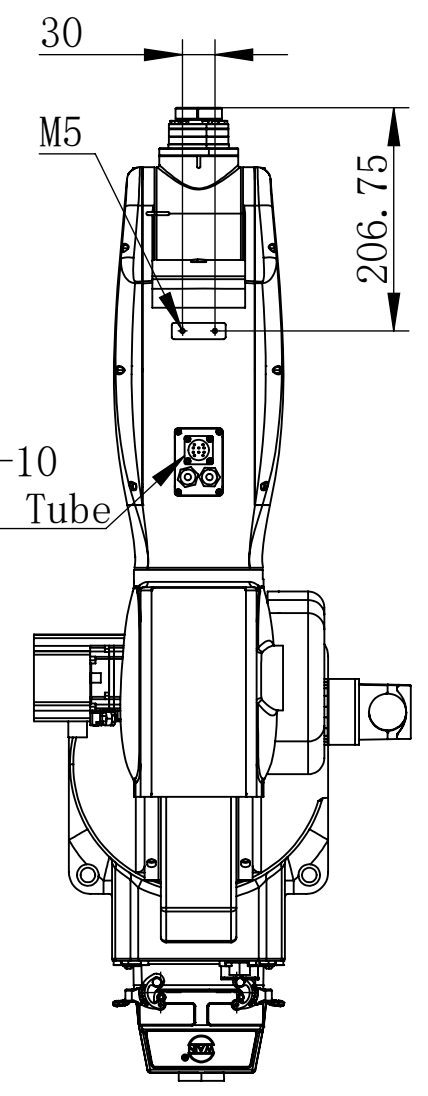
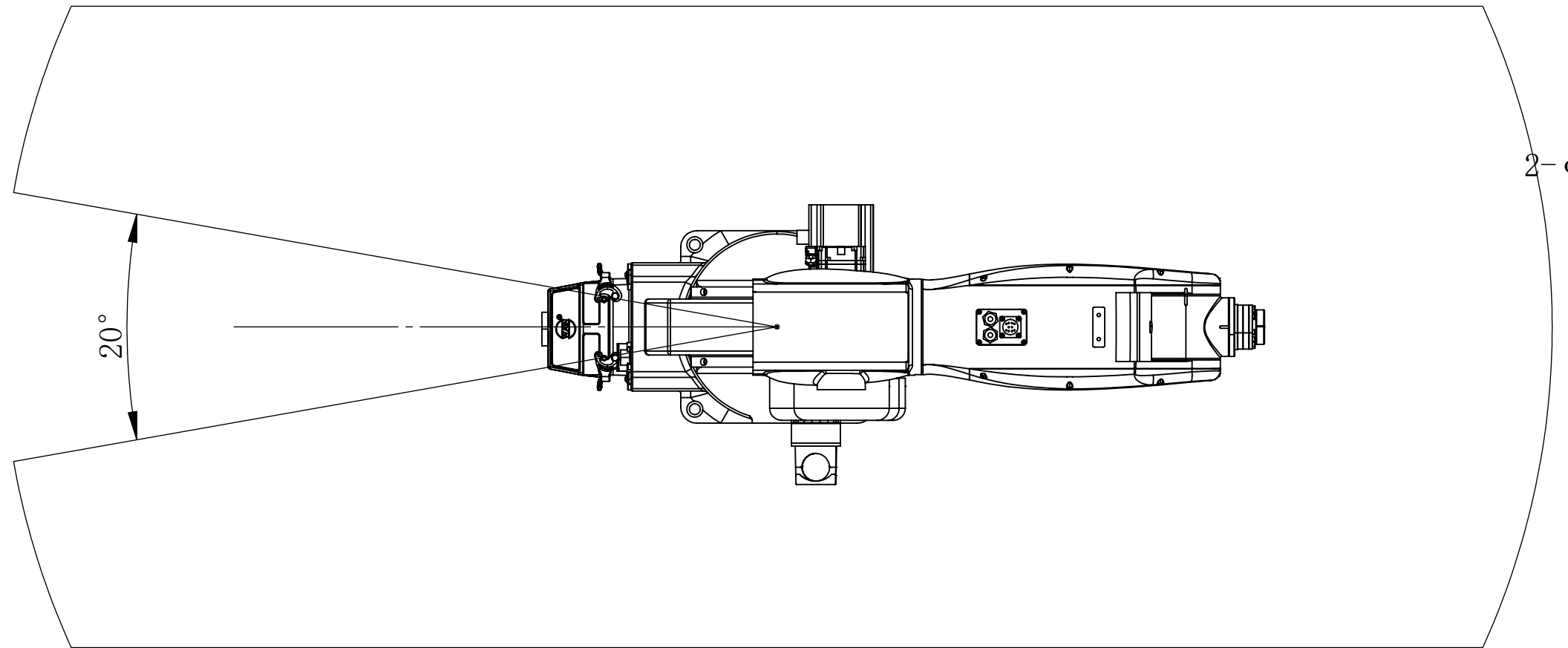
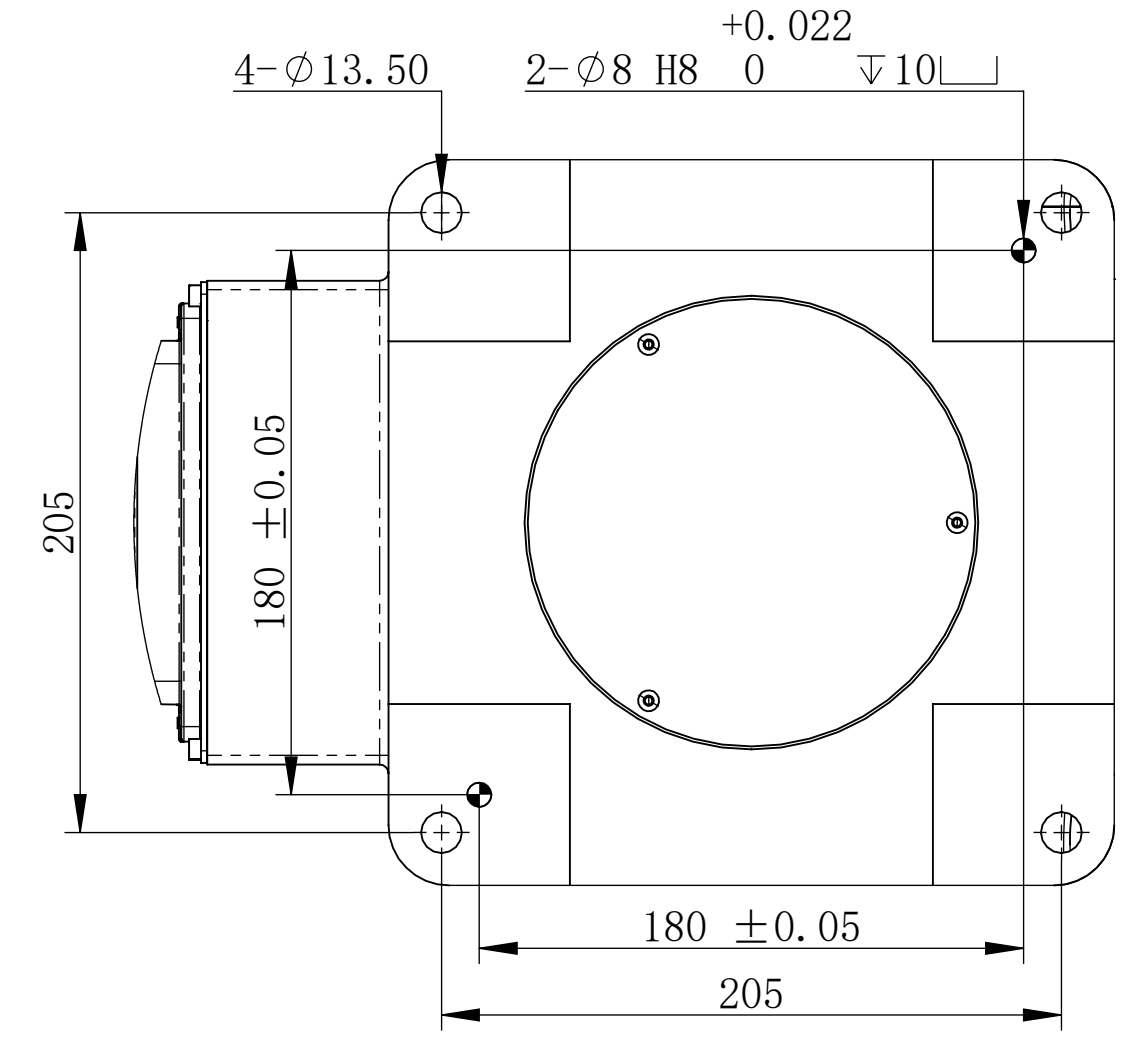


Flange Installation Diagram



WS16-10  
2- $\phi 6$  Pneumatic Tube



Base Installation Diagram